



MLC

Rugged Metal LC Connectors



'Super Tough' Uni-Boot Duplex LC

OFP's Uni-Boot Duplex Metal Bodied LC is precision manufactured from both machined and die cast alloy materials. It provides an LC compatible connector able to withstand abuse in tough military, industrial, and science applications.

Unlike commercial plastic connectors, the MLC can be terminated to standard commercial cables, also directly to Industrial, and Military-Tactical type cables. It features superior pull-strength between the connector and the cables, plus the metal latch arms provide a superior pull out strength to LC adaptor and transceiver ports.



Features

- Fully compliant to IEC 61754-20
- Heat resistant to 135° C
- Improved resistance to shock and vibration
- Improved wear performance
- Compatible with Industrial & Military cables
- Superior latch retention & cable retention
- Available for MM, SM/PC, and SM/APC
- Low loss stable performance
- Compatible with OFP LC-Max for IP-68 protection
- RoHS compliant

Applications

- Industrial
- Military
- Aerospace
- Marine
- Broadcast
- FTTx deployments
- FTTA deployments
- Test and measurement



ISO 9001
QUALITY MANAGEMENT

Optical Fiber Packaging Ltd.

Holland Centre
Holland Road Industrial Estate
Haverhill
Suffolk
England CB9 8PR UK

Phone: +44 (0) 1440-766636
Phone: +1 909 5765854 (USA)
E-mail: sales@ofpgco.com

www.ofpgco.com



MLC

Rugged Metal LC Connectors

Ordering Information

MLC connectors are supplied with Premium low loss singlemode grade ferrules for both SM & MM applications

Part Number	Description
KIT22065	Metal LC Duplex Connector Kit - Inc. boot/crimp set for 3.5mm Mini-Mil Tac cable & Commercial cables
KIT22066	Metal LC Duplex Connector Kit - Inc. boot/crimp set for 4.8mm/5mm Mil-Tac cable

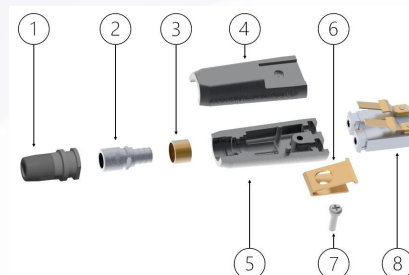
Typical Performance

	Singlemode 9/125 UPC	Multimode OM4
Typical Insertion Loss	0.1 dB	0.08 dB
Max. Insertion Loss	0.2 dB	0.15 dB
Typical Return Loss	> 55 dB	> 25 dB
Ferrule	Premium SM	

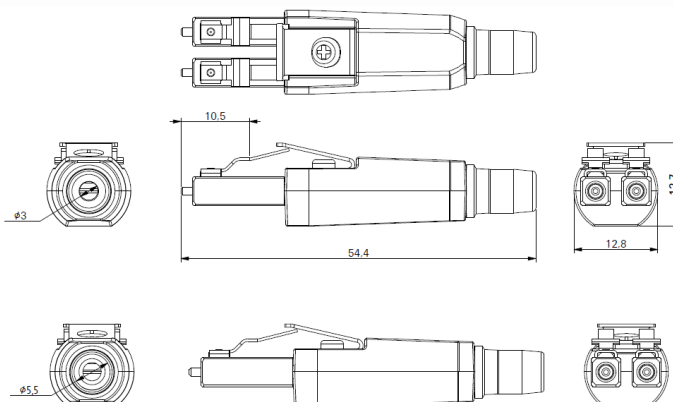
(Based on testing with master grade test lead)

Components in MLC connector

Label	Description
1	Boot
2	Inner Strain Relief Crimp
3	Outer Strain Relief Crimp
4	Upper Housing
5	Lower Housing
6	Duplex Latch Lever
7	M2 Screw
8	Metal LC Connector x 2



MLC Connector Dimensions



Optical Fiber Packaging Ltd.

Holland Centre
Holland Road Industrial Estate
Haverhill
Suffolk
England CB9 8PR UK

Phone: +44 (0) 1440-766636
Phone: +1 909 5765854 (USA)
E-mail: sales@ofpgco.com

www.ofpgco.com